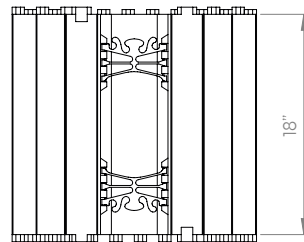
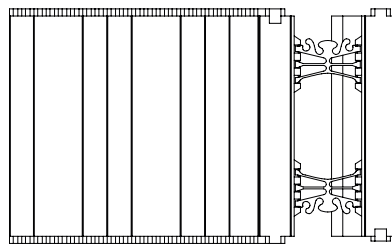
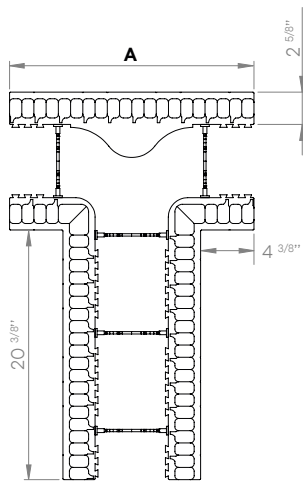
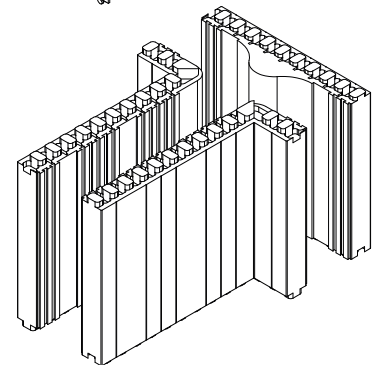
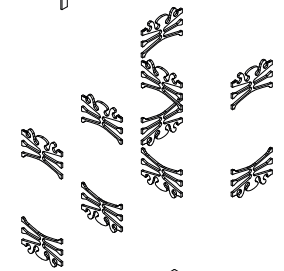
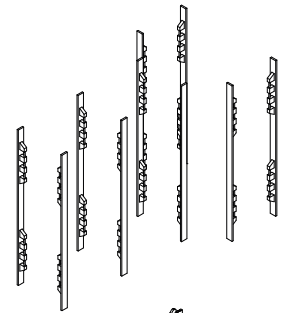
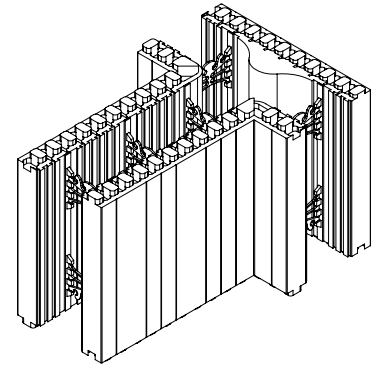
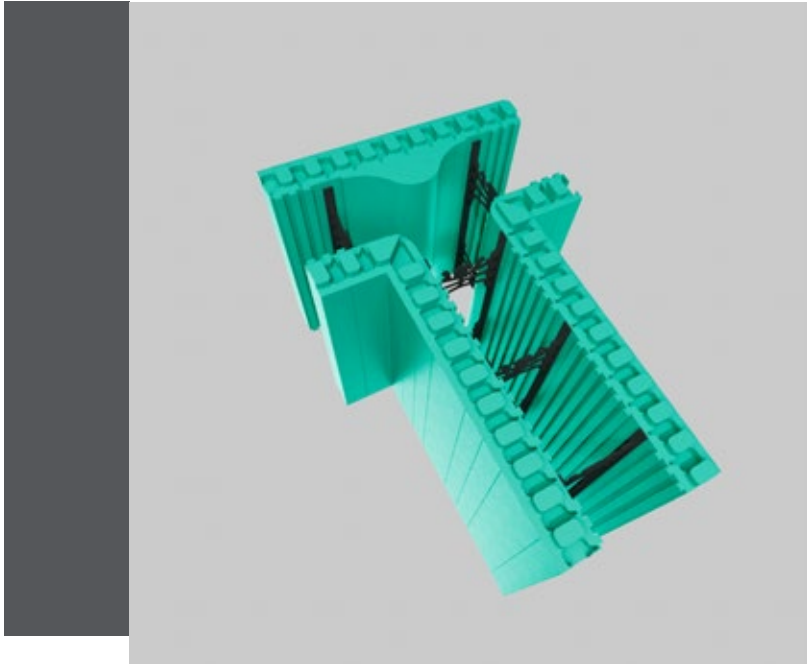


Long T-Form Unit



| CORE WIDTH | 6" (150mm) | 8" (200mm) |
|---|---|---|
| LENGHT A | 20" (508mm) | 22" (559mm) |
| AREA/UNIT* | 12 ft ² (1.115m ²) | 12 1/2 ft ² (1.161m ²) |
| QTY./BUNDLE | 2 Short T-Forms + 2 Long T-Forms | |
| BUNDLE CODE # | NUS-10T06-06 | NUS-10T08-08 |
| *One Unit represents one Short T-Form and one Long T-Form connected together, forming two courses, as illustrated in image 1. | | |

image 1

