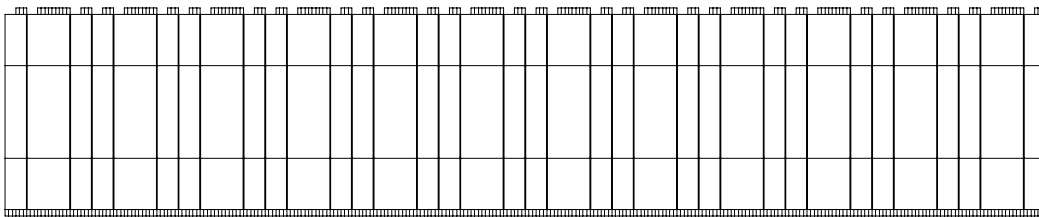
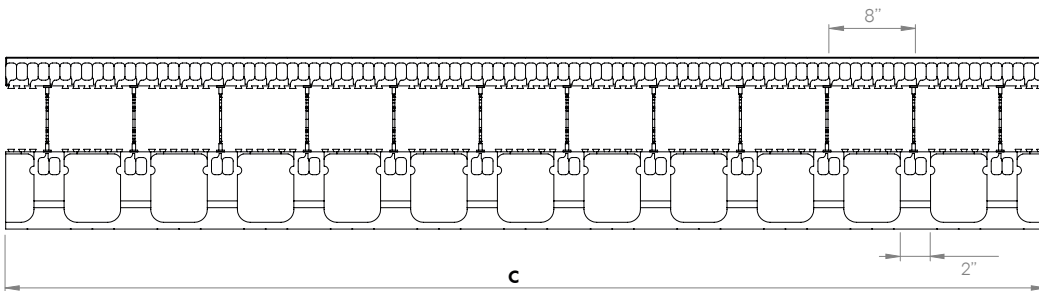
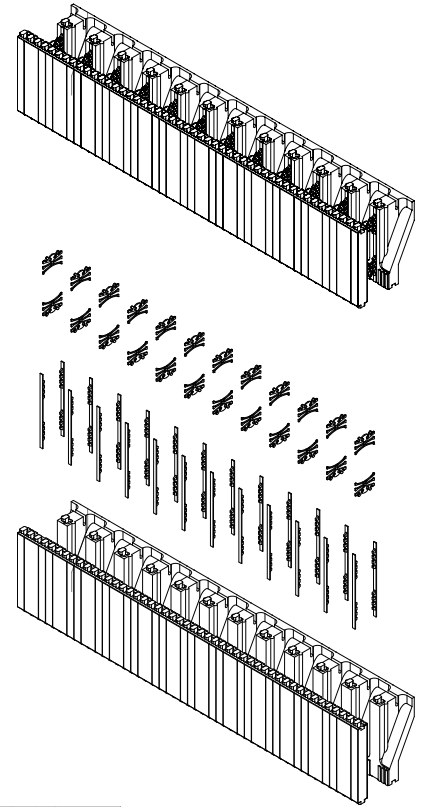
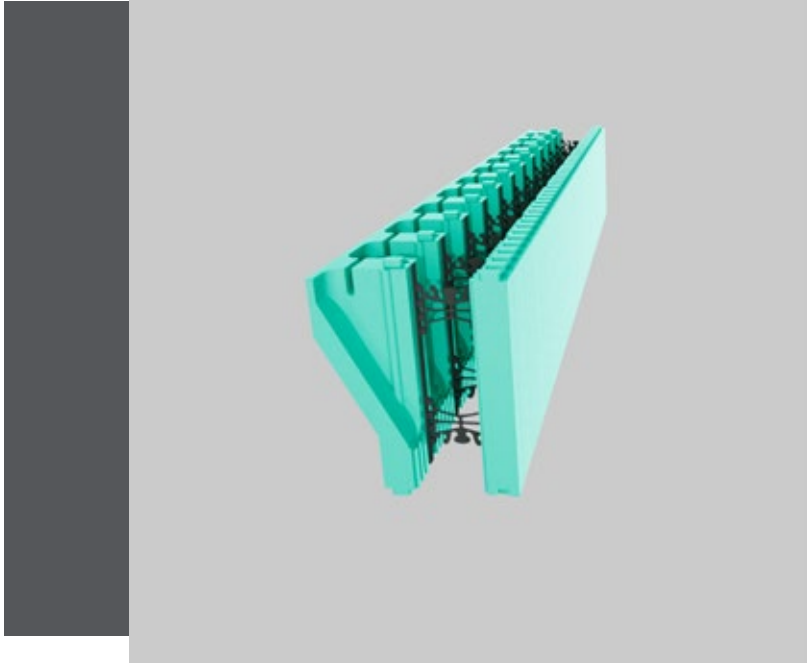


Brick Ledge Form Unit



CORE WIDTH	6" (150mm)	
WIDTH A	31 5/8" (803mm)	
WIDTH B	15 5/8" (397mm)	
LENGTH C	48" (1219mm)	96" (2438mm)
QTY./BUNDLE	4	2
CODE #	NUS-10B48-06	NUS-10B96-06

