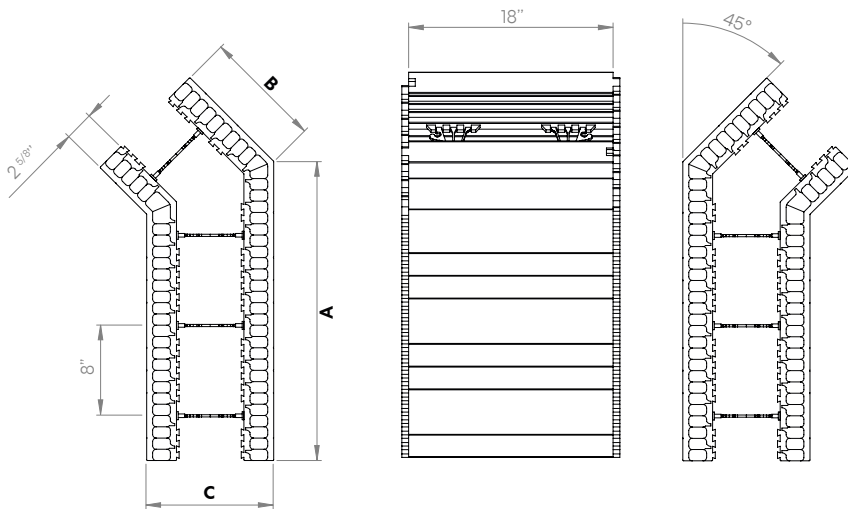
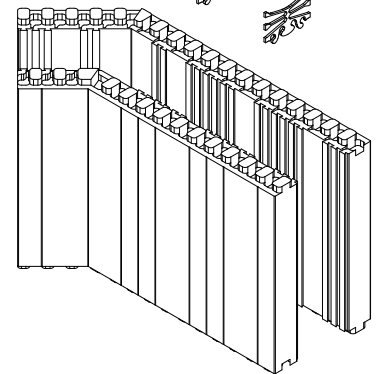
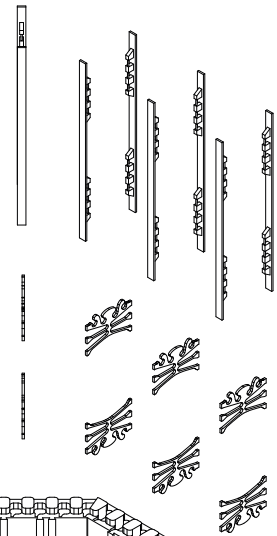
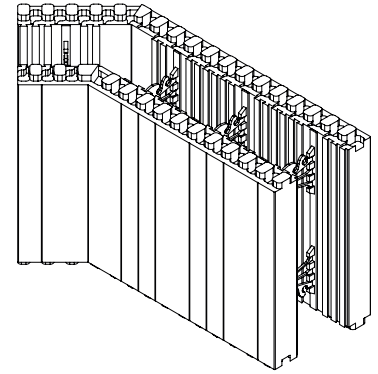
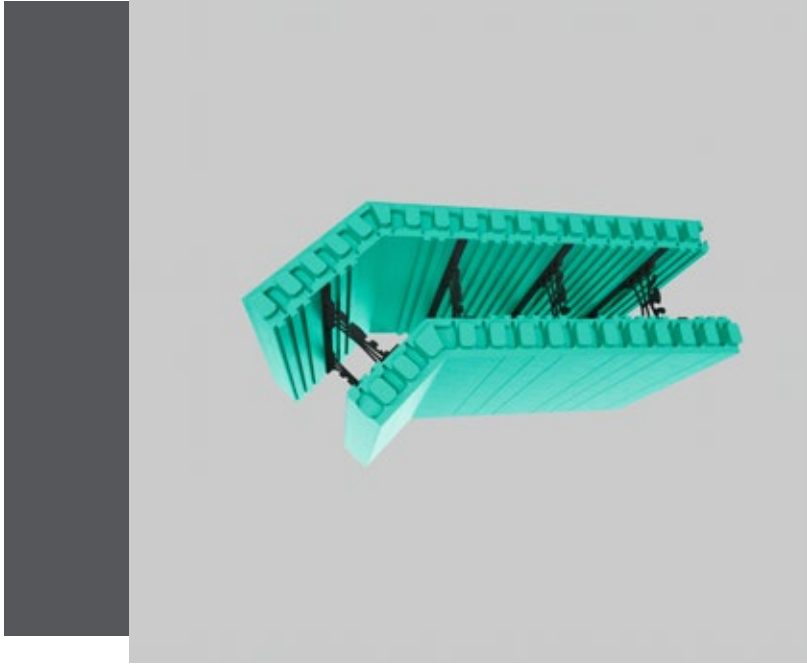


# 45° Form Unit



CORE WIDTH	4" (100mm)	6" (150mm)	8" (200mm)	10" (250mm)	12" (300mm)
LENGTH A	26 1/2" (673mm)	26 1/2" (673mm)	26 1/2" (673mm)	28 1/2" (724mm)	30 1/2" (775mm)
LENGTH B	10 1/2" (267mm)	10 1/2" (267mm)	10 1/2" (267mm)	12 1/2" (318mm)	14 1/2" (368mm)
WIDTH C	9 1/4" (235mm)	11 1/4" (286mm)	13 1/4" (337mm)	15 1/4" (387mm)	17 1/4" (438mm)
HEIGHT	18" (457mm)	18" (457mm)	18" (457mm)	18" (457mm)	18" (457mm)
QTY./BUNDLE	6	6	6	4	4
CODE #	NUS-10045-04	NUS-10045-06	NUS-10045-08	NUS-10045-10	NUS-10045-12